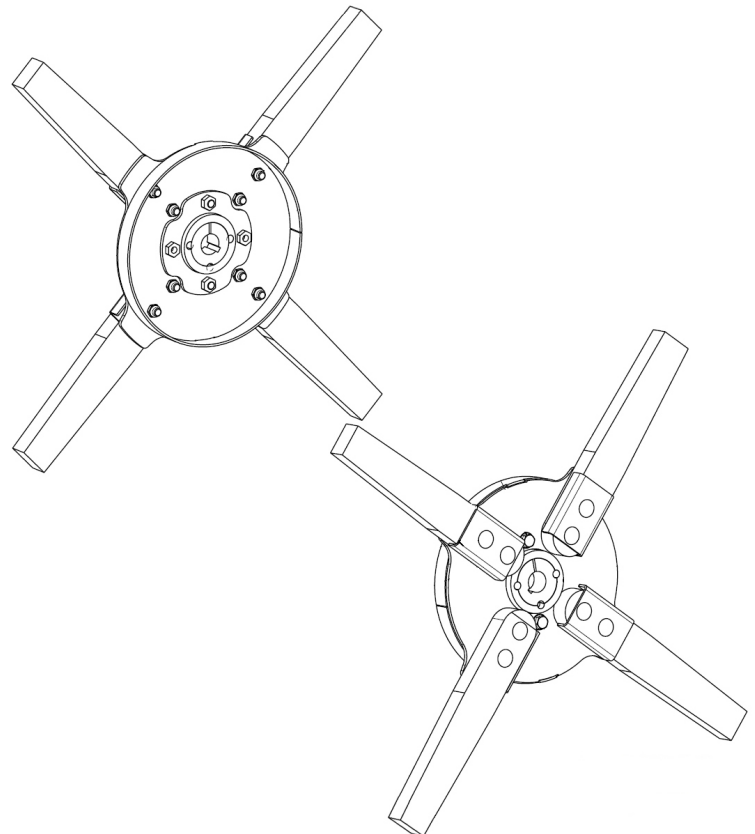


Quick Release Trash Finger Hubs

Part Number: 161264 (Two Finger Version)

Part Number: 161261 (Four Finger Version)

The new quick release trash flinger hub was introduced with the 2017 Oxbo 6220. The updated design allows for faster and easier in-field removal of the trash remover assembly. Assembly includes the hub with the two or four fingers (installed). Compatible with most 2010 and newer high torque trash fingers.



Contact your dealer or call 360-354-1500 ext. 3 for more information

www.oxbocorp.com

WN-0104