

SOFTSurface

With the launch of the Oxbo SoftSurface kit, we are helping our customers to deliver more fresh market quality blueberries. But, every grower should understand that the Oxbo SoftSurface kit is part of a full system of interconnected decisions and activities, each one fine-tuned to deliver the highest quality blueberries.

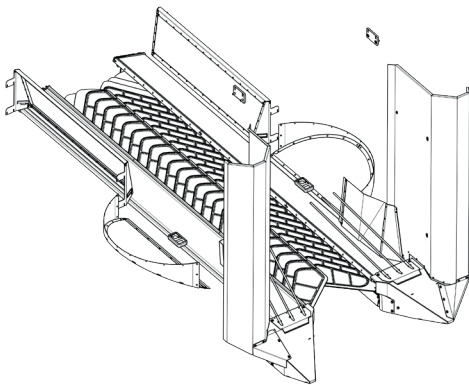
The Oxbo SoftSurface Kit is available as a retrofit on all 7440 and 8040s. Other models are not available at this time.

Production lead time is 3 months from order date.

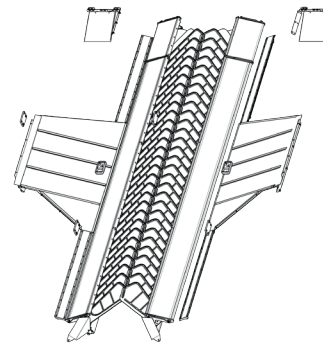


Kit includes the removable SoftSurface components

Oxbo 8040 SoftSurface Kit (163125)



Oxbo 7440 standard length SoftSurface Kit (164780) Oxbo 7440 extended length SoftSurface Kit (164800)



- Full set of Patent Pending SoftSurface catcher assemblies and catcher rails
- Long SoftSurface panels covering the transition from the catchers to the lower belts
- SoftSurfaces under the shaking head
- Additional in-tunnel SoftSurface panels
- New nose cones (8040) or new front shields (7440)
- Shaking head adjustment pieces
- Kit of 20 standard left and 20 standard right Patent Pending SoftSurface catcher assemblies as replacement parts
- SoftSurface panel at the transition from the buckets to the inspection belt (7440 only)
- Service installation quoted by your Oxbo Dealer or Oxbo location

AutoSteer Options

The SoftSurface Kits include catcher rails that are AutoSteer ready.

- If a machine already has AutoSteer, the SoftSurface Kit is plug and play.
- If a machine does not currently have AutoSteer, the appropriate kit below will be needed to add the AutoSteer function:
Oxbo 8040 – Purchase **161914**
Oxbo 7040 – Purchase **160715**
(AutoSteer kits include controller and hydraulics)

Please review with your Oxbo Dealer or Oxbo location to ensure your blueberry fields are set up for success with the Oxbo SoftSurface kit. Autosteer is encouraged for longevity.